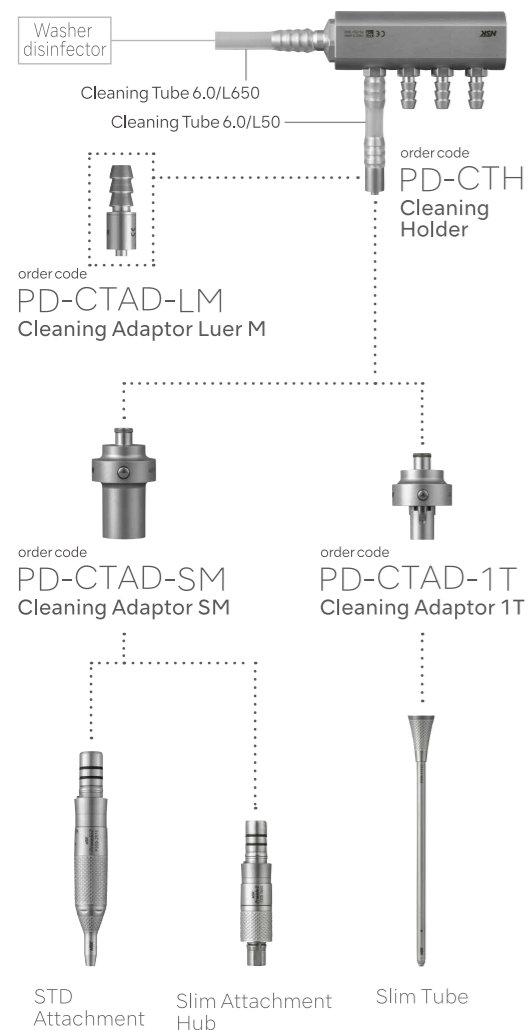
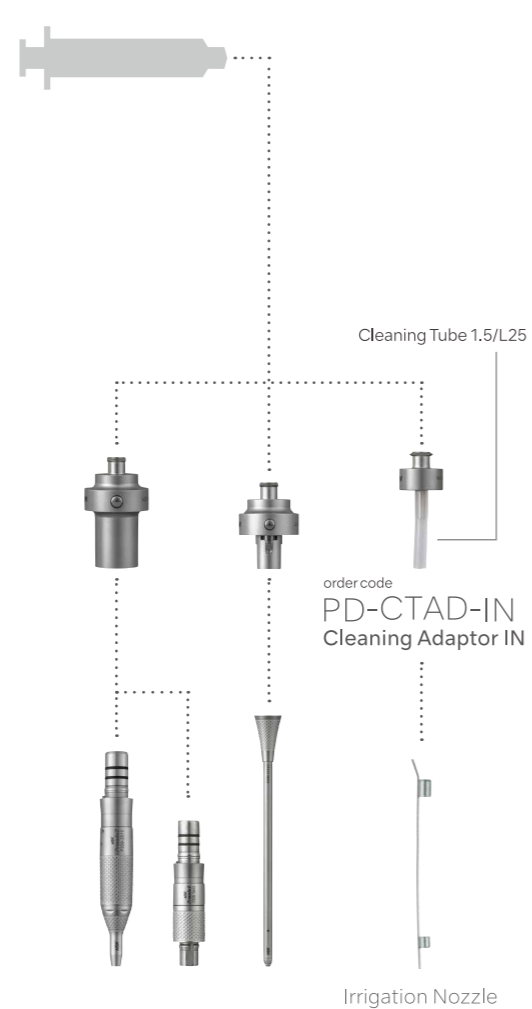


Cleaning Tool

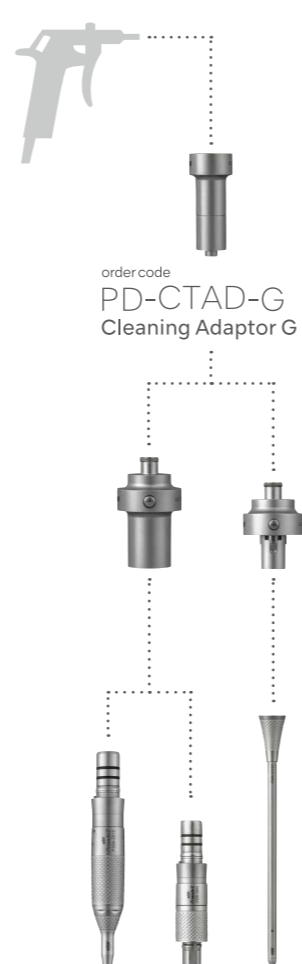
For automated cleaning



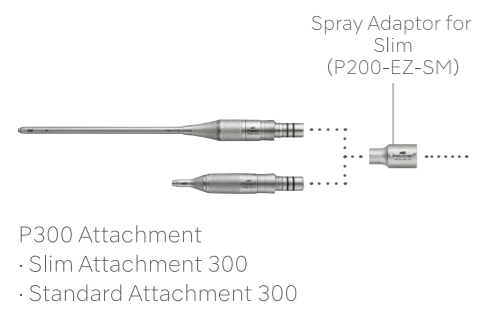
For manual cleaning



For drying



Cleaning Tube



Primado 2
Standard Attachment 300

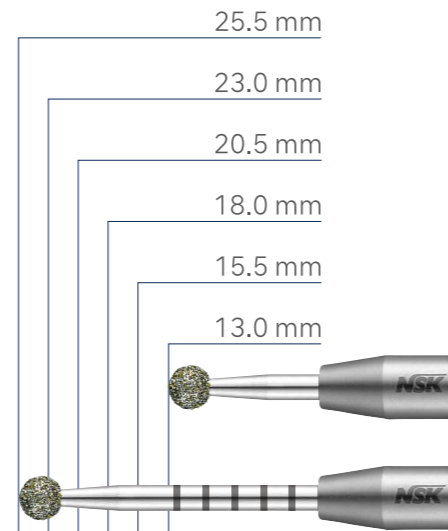


Standard Attachment 300 80,000min⁻¹

Standard Attachment 300 is designed with new features to deliver improved visibility, smooth operation, safety, and stable rotation performance.

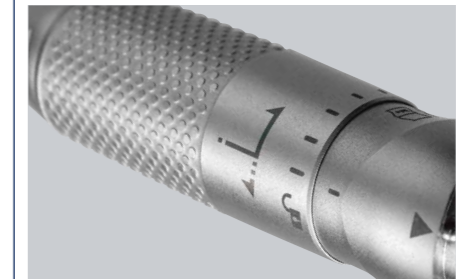
Variable Exposure

- Adjustable exposure lengths of 13.0/15.5/18.0/20.5/23.0/25.5mm by Twist Collet Operation



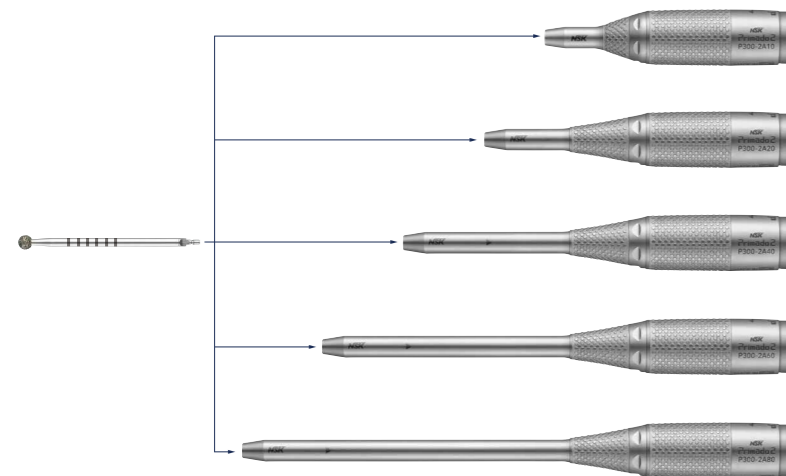
Easy Twist Collet Operation

- Bur mounting/removing and variable exposure



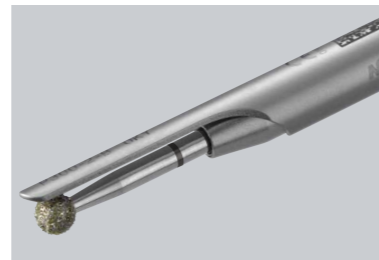
Universal Bur Length System

- One bur size fits all lengths of Attachment
- Easier management in operating room



Accessory

- Can slide onto the attachment



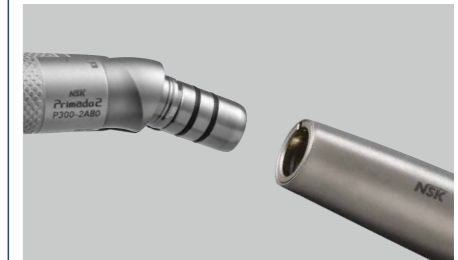
Non-Slip Surface

- Improved grip with surface etching



Smooth Connection

- Quick Joint allows for an easy attachment-motor connection



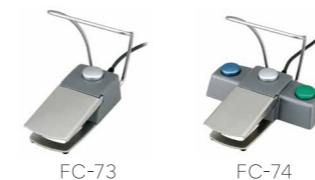
Compatible with Primado 2 Control Unit and Slim Motor



order code
P200-CU-120
Primado2 Control Unit for 120V

order code
P200-CU-230
Primado2 Control Unit for 230V

order code
FC-73/FC-74
Primado2 Single Foot Control
Primado2 Multi Foot Control



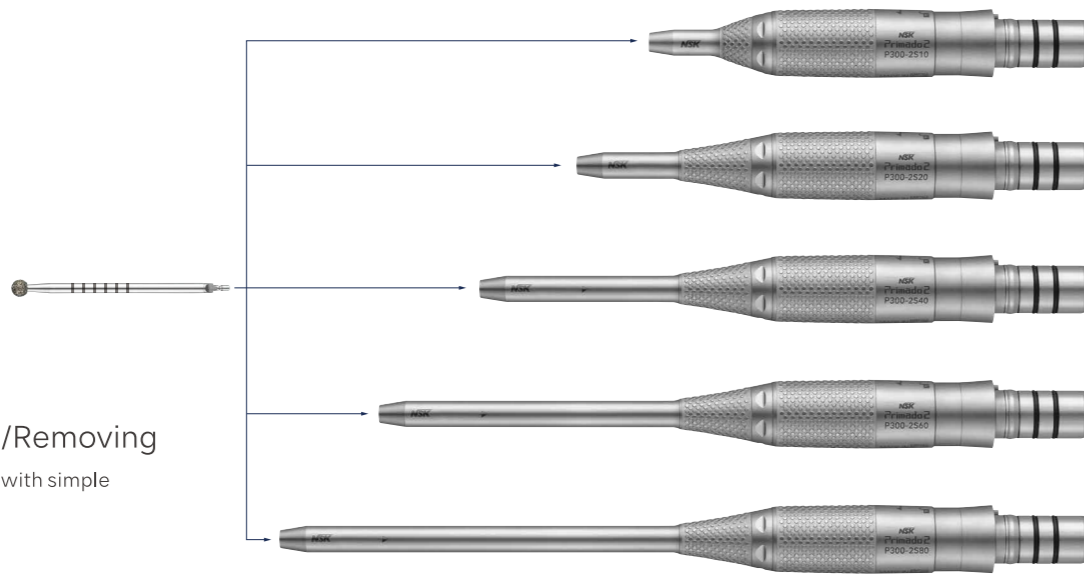
order code
P200-SMH-HS
Primado2 Slim Motor/HS
· Hand Control Motor
· Speed : Max. 80,000 min⁻¹

order code
P200-SMH
Primado2 Slim Motor
· Speed : Max. 80,000 min⁻¹

Universal Bur Length System

Integration

One bur size fits all lengths of Attachment.

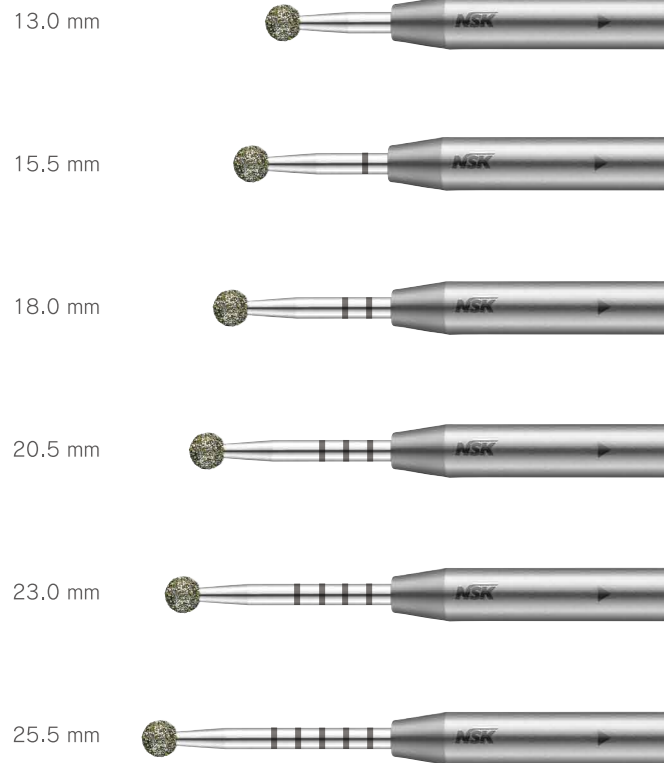


Simple Bur Mounting/Removing

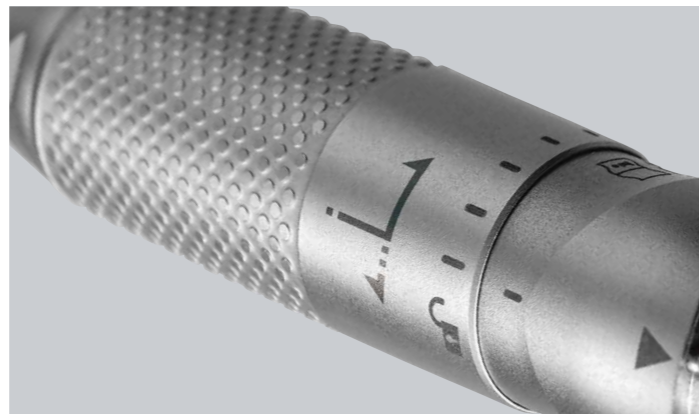
The bur can be loaded/removed with simple Twist Collet Operation.

Variability

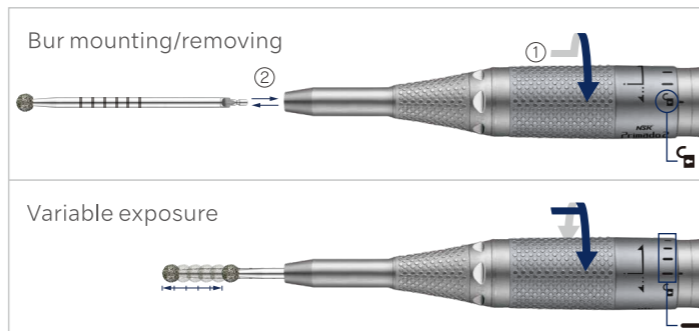
(by 2.5mm : 13.0/15.5/18.0/20.5/23.0/25.5mm)



Exposure length (6 steps) is controlled by operating the Twist Collet on the attachment. This allows for variable exposure without having to handle/change the bur.

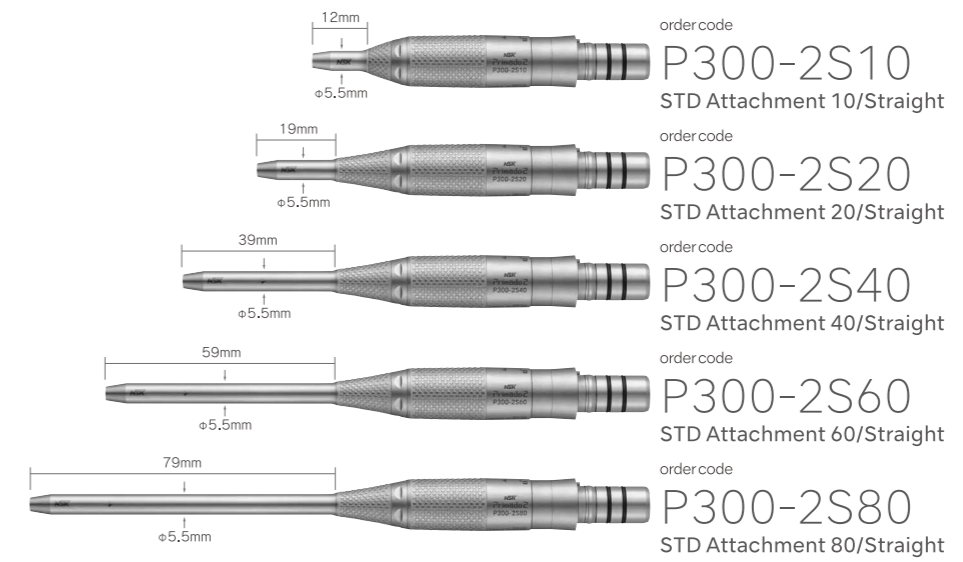


Easy Twist Collet Operation

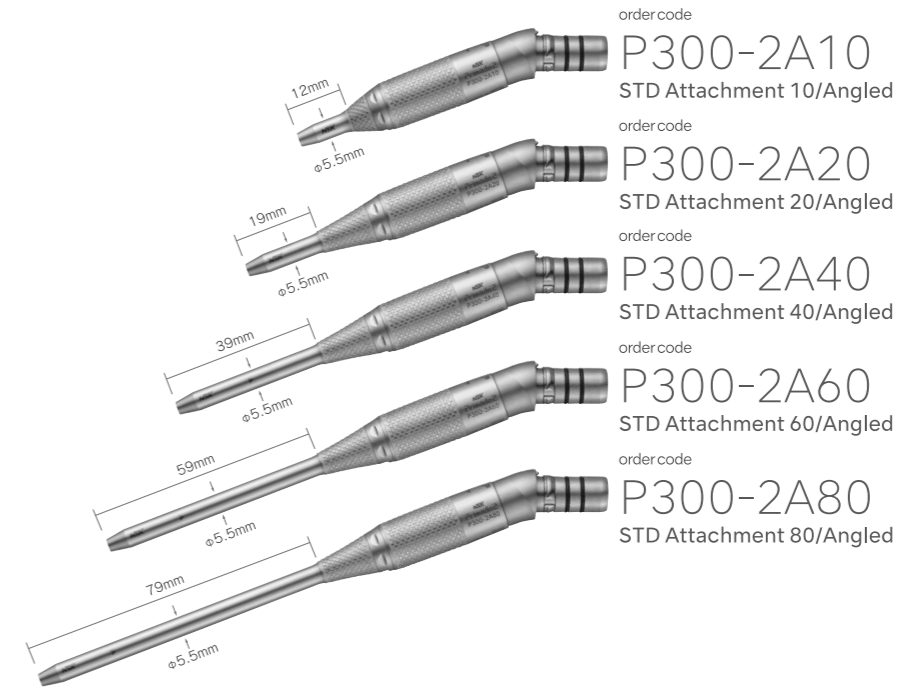


Lineup

Straight



Angled

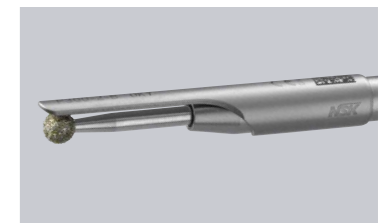


Accessory



order code
P300-2-B
STD Attachment Beak

*Cannot be used with the Irrigation Nozzle.



Irrigation Nozzle



order code
PD-IN-D
For P300-2S10/P300-2A10/
P300-2S20/P300-2A20





















order code
PD-IN-2ES
For P300-2S40/P300-2A40

order code
PD-IN-2S
For P300-2S60/P300-2A60

order code
PD-IN-2M
For P300-2S80/P300-2A80



Cutting Accessories for Standard Attachment 300

Cutting Accessories										Accessory	STD Attachment		
									Head size				
order code	order code	order code	order code	order code	order code	order code	order code	order code	● (mm) Actual size				
—	PDS-2RDUL-06	—	—	—	—	—	—	—	● 0.6		Straight		
PDS-2RFUL-10	—	PDS-2RCDUL-10	—	—	—	—	—	PDS-2WUL-10	● 1.0				order code P300-2S10 STD Attachment 10/Straight
—	—	—	—	—	—	—	—	PDS-2WUL-12	● 1.2				order code P300-2S20 STD Attachment 20/Straight
—	—	—	—	—	—	—	PDS-2RUL-13	—	● 1.3				order code P300-2S40 STD Attachment 40/Straight
PDS-2RFUL-15	—	PDS-2RCDUL-15	—	—	—	—	—	PDS-2WUL-15	● 1.5				order code P300-2S60 STD Attachment 60/Straight
PDS-2RFUL-20	PDS-2RDUL-20	PDS-2RCDUL-20	—	—	PDS-2MHCDUL-20	—	—	—	● 2.0				order code P300-2S80 STD Attachment 80/Straight
PDS-2RFUL-25	PDS-2RDUL-25	PDS-2RCDUL-25	—	—	—	—	—	—	● 2.5				
PDS-2RFUL-30	PDS-2RDUL-30	PDS-2RCDUL-30	PDS-2RECDUL-30	PDS-2RSCDUL-30	PDS-2MHCDUL-30	—	—	—	● 3.0				Angled
PDS-2RFUL-35	PDS-2RDUL-35	—	—	—	—	—	—	—	● 3.5				order code P300-2A10 STD Attachment 10/Angled
PDS-2RFUL-40	PDS-2RDUL-40	PDS-2RCDUL-40	PDS-2RECDUL-40	PDS-2RSCDUL-40	PDS-2MHCDUL-40	—	—	—	● 4.0				order code P300-2A20 STD Attachment 20/Angled
PDS-2RFUL-50	PDS-2RDUL-50	PDS-2RCDUL-50	PDS-2RECDUL-50	PDS-2RSCDUL-50	—	PDS-2AUL-50	—	—	● 5.0		order code P300-2A40 STD Attachment 40/Angled		
PDS-2RFUL-60	—	PDS-2RCDUL-60	PDS-2RECDUL-60	PDS-2RSCDUL-60	—	PDS-2AUL-60	—	—	● 6.0		order code P300-2A60 STD Attachment 60/Angled		
PDS-2RFUL-70	—	PDS-2RCDUL-70	PDS-2RECDUL-70	—	—	—	—	—	● 7.0		order code P300-2A80 STD Attachment 80/Angled		
—	—	—	—	—	—	PDS-2AUL-75	—	—	● 7.5				

*The exposure length of these burs are not adjustable.